

IT-SSLM300-IRL

- ✓ *Array Zoom Laser Module*

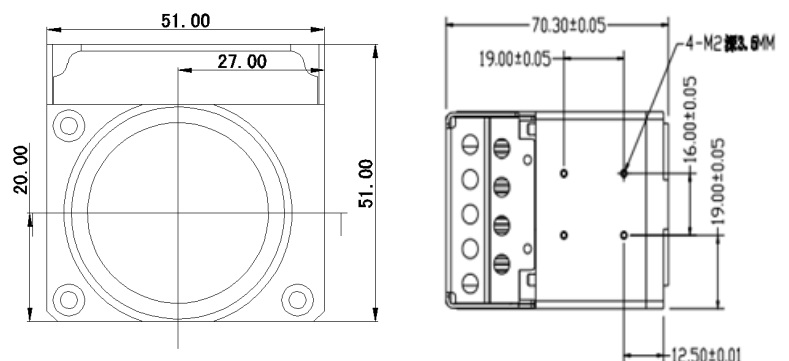


Features

- Adopt with auto surface emitting laser chip (VCSEL), zero light attenuation
- Wide range of working temperature, good adaptability to the environment
- Surface emitting chip offers safer operation
- Evenly spot provided by array lighting
- Photoelectric conversion efficiency up to 40%
- Under 50°C working temperature, photoelectric conversion efficiency up to 35%
- Auto zooming, step-less optical zoom
- Reliable with life span more than 50000hrs
- Small in size, easy to integrate
- RS232, RS485, TTL ports options
- Coaxial lens focus, sync. with camera
- Homogenized light spot with no noise
- Power lose memories
- CE proved
- Preset position
- Low heating, high efficiency

Applications

- Speed Dome
- PTZ camera
- Box camera
- Highway monitoring
- Display applications
- Military applications



Description

This laser illuminator is high performance integrated with high quality laser chip and excellent optics design, and outstanding circuit control with high efficiency. It has big beam angle zooming, which can match the field view angle of cameras. It also has friendly interfaces such as operating voltage, communication protocol and installation schematic. It can be widely used in high-speed dome, PTZ camera and traffic monitoring.

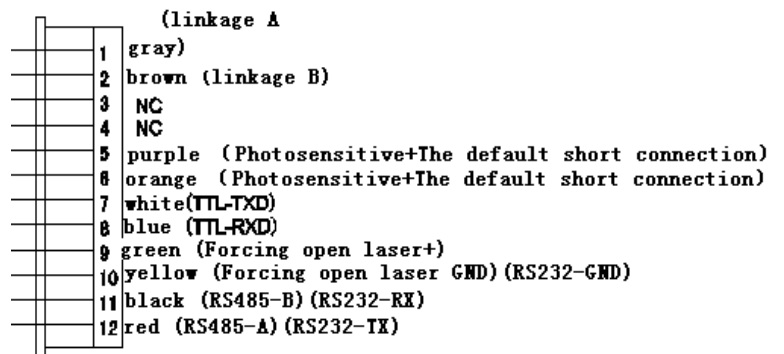
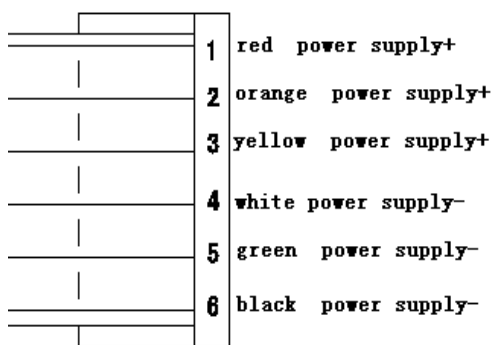
This illuminator is compatible with major lens and cameras, integrated with the protocols such as Pelco P&D, Sony VISCA protocol. It is easy for users to implement the illuminator. Simultaneously, Position can be preset via serial port, and users can call the instruction to operate conveniently in use.

Performance Parameters

Parameters	Typical values	Unit	Remarks
Model	IT-SSLM300-IRL	—	—
Laser mode	Multimode	—	—
Wavelength	808/975±10	nm	Optional
Optical power	1.8	W	Laser output
Spot shape	Circular	—	—
Illuminating distance	300	m	—
Spot uniform	Homogenized light spot without noise	—	—
Fan angle	1.6-65	°	—
Operating voltage	12	V	—
Operating current	1	A	—
Lifetime	50000	hrs	—
Operating temperature	-10- +70	°C	—
Storage temperature	-40- +85	°C	—
Power consumption	12	w	—
Dimensions	L70×W51×H51	mm	—
Material	Aluminum Alloy	—	—
Surface color	Black	—	—
Laser classification	1M	—	—
Control wire define	See Interface Definition Diagram (12PIN)	—	—
Power wire +	Red, Orange, Yellow (6PIN)	—	—
Power wire -	White, Green, Black (6PIN)	—	—
Protocol interface	RS232/RS422/RS485/TTL	—	optional

Protocol	Pelco P&D/Sony VISCA	—	—
Surface processing	9600	—	set up
Weight	300	g	—
Heat dissipation	Forced wind	—	—

Interface Definition Diagram



Laser Safety Instruction

According to GB7247.1-2012 or IEC60825-1:2007 standard, the safety level of this product is Class 1M/2.

Application Photos



All products, product specifications and data are subject to change without notice.